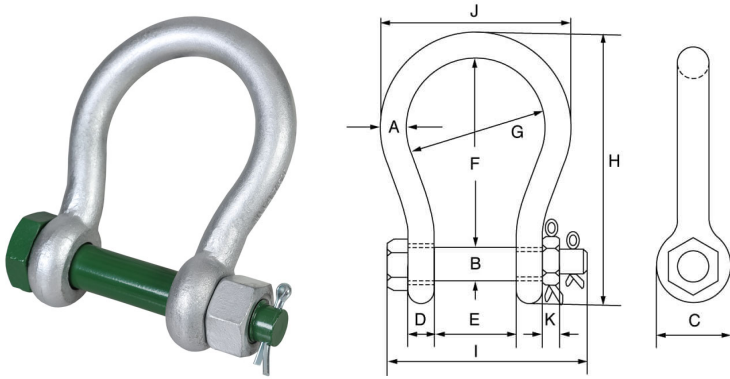


Green Pin BigMouth® Bow Shackle with Safety Nut and Bolt Pin – GPWM



- Grade 8 alloy steel body and pin, quenched and tempered.
- Hot dipped galvanised finish.
- Conforms to ASME B30.26.
- Minimum breaking load is 6 times the W.L.L.
- Temperature range -20°C up to +200°C.
- Certification available **2.1** **3.1** **DoC**

G-4263

Product Code	W.L.L. t	A mm	B mm	C mm	D mm	E mm	F mm	G mm	H mm	I mm	J mm	K mm	Weight kgs	Technical Specification
GPWM4.75	4.75	22	25	52	22	63	112	88	173	157	132	22	2.08	Download
GPWM6.5	6.5	25	28	59	25	75	135	105	204	183	155	25	3.14	Download
GPWM8.5	8.5	28	32	66	28	82	148	115	225	205	171	27	4.36	Download

Product Code	W.L.L.	A	B	C	D	E	F	G	H	I	J	K	Weight	Technical Specification
	t	mm	mm	mm	mm	mm	mm	mm	mm	mm	mm	mm	kgs	
GPWM9.5	9.5	32	35	72	32	90	162	126	248	224	190	30	5.95	Download
GPWM12	12	35	38	79	35	100	180	140	274	245	210	33	7.87	Download
GPWM16	16	38	42	89	38	106	216	159	319	248	235	19	12.5	Download
GPWM25	25	45	50	104	45	127	248	175	370	296	265	23	18	Download
GPWM30	30	50	57	11	50	146	273	207	411	332	307	26	25	Download
GPWM55	55	65	70	145	65	165	314	213	487	389	343	32	48	Download
GPWM75	75	75	83	163	75	184	330	254	537	455	420	39	70	Download